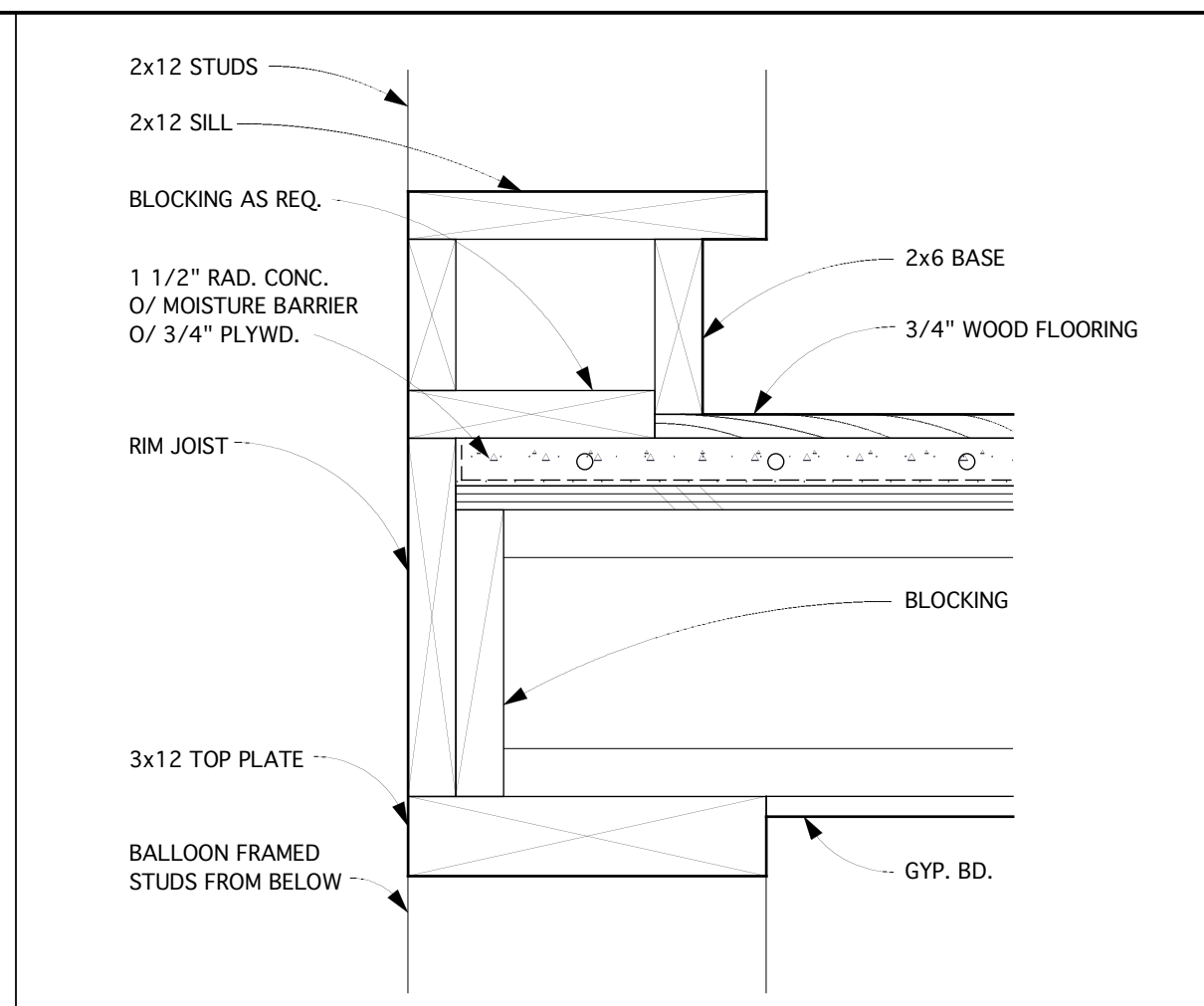
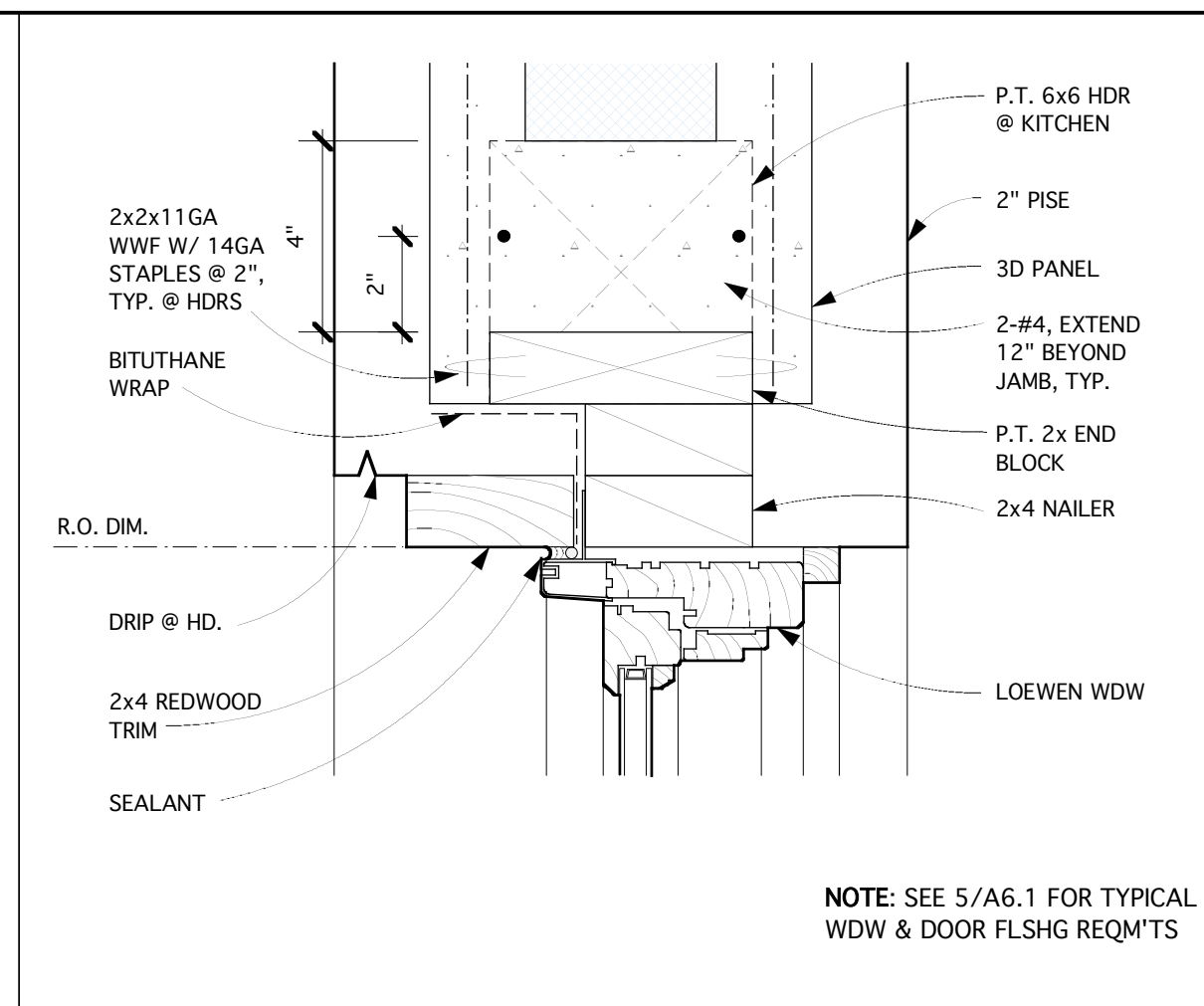


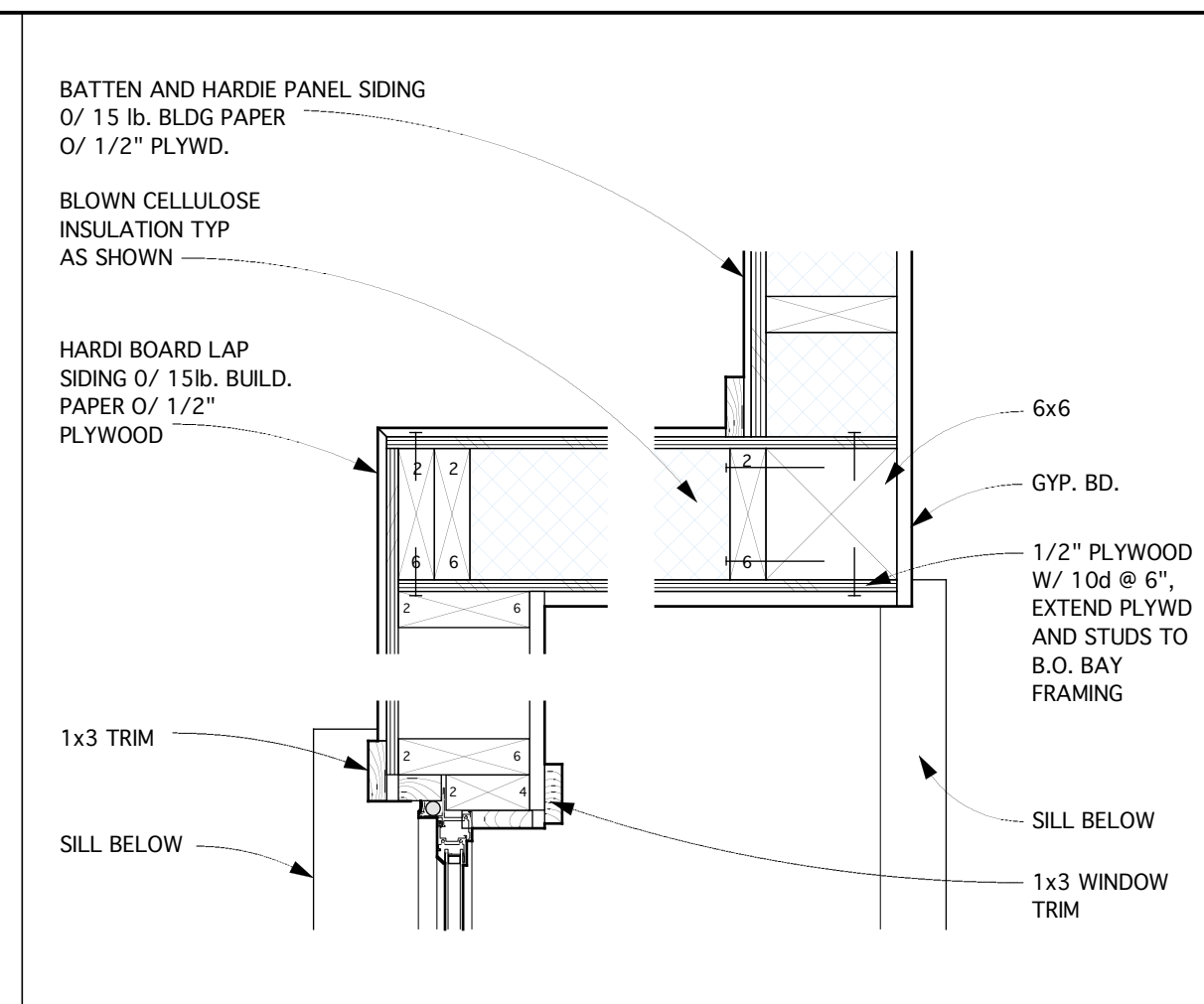
20 TOP OF STAIRS  
A6.1 SCALE: 2" = 1'-0"



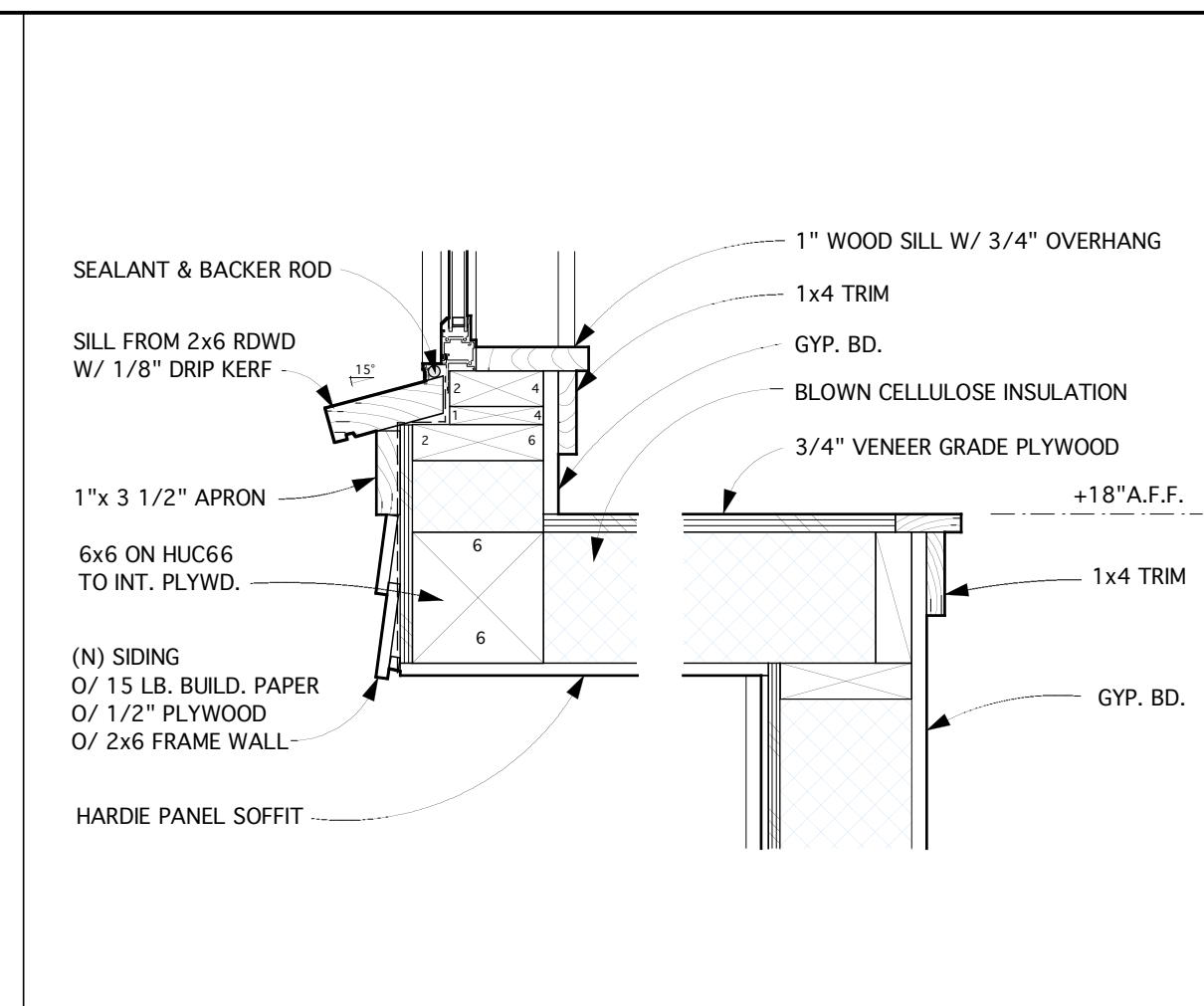
16 M. BR. FLOOR @ OPEN FRAMING  
A6.1 SCALE: 2" = 1'-0"



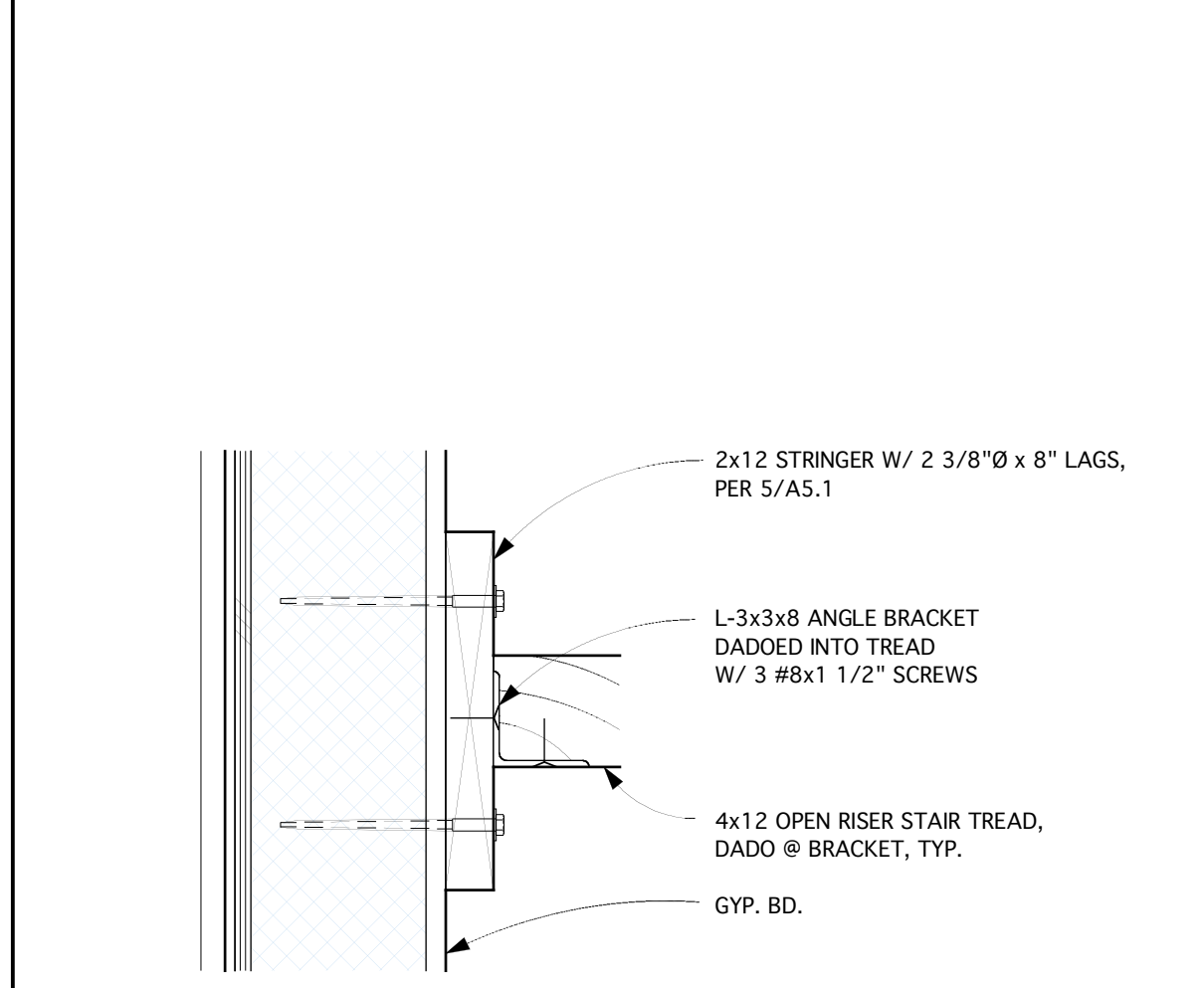
12 WOOD WDW IN TRIDI - HEAD/JAMB SIM.  
A6.1 SCALE: 3" = 1'-0"



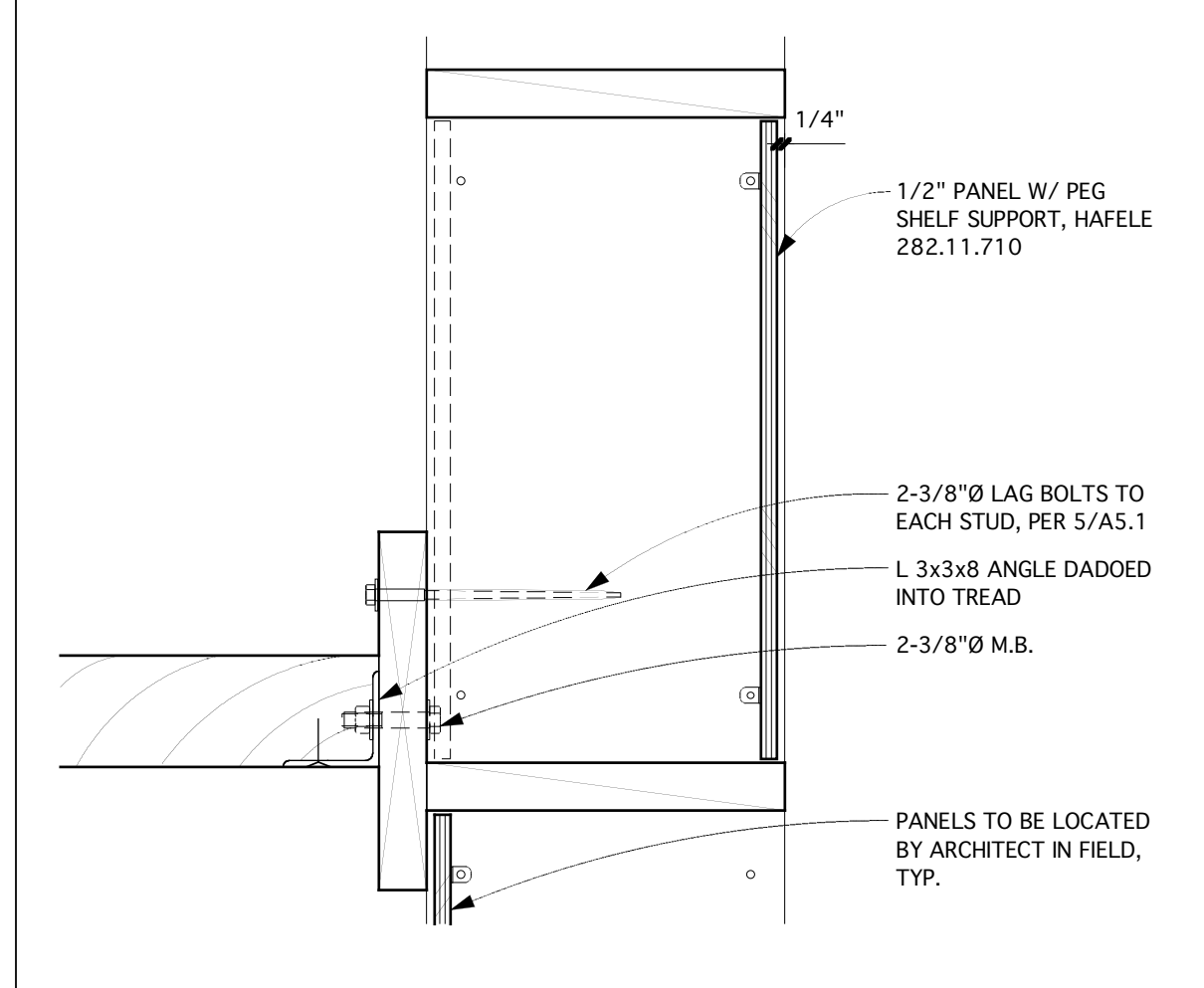
8 BAY PLAN  
A6.1 SCALE: 1 1/2" = 1'-0"



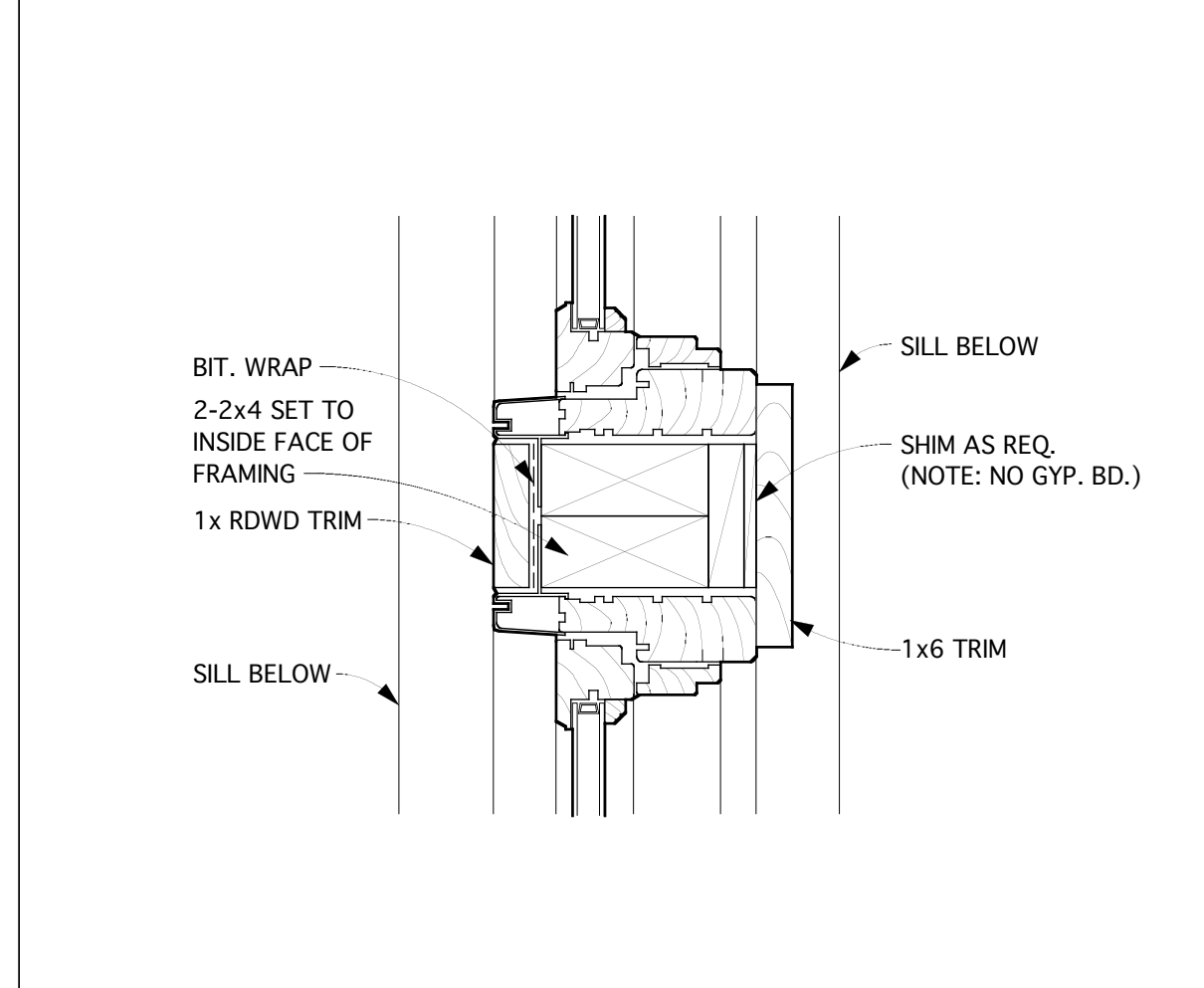
4 BAY SECTION  
A6.0 SCALE: 1 1/2" = 1'-0"



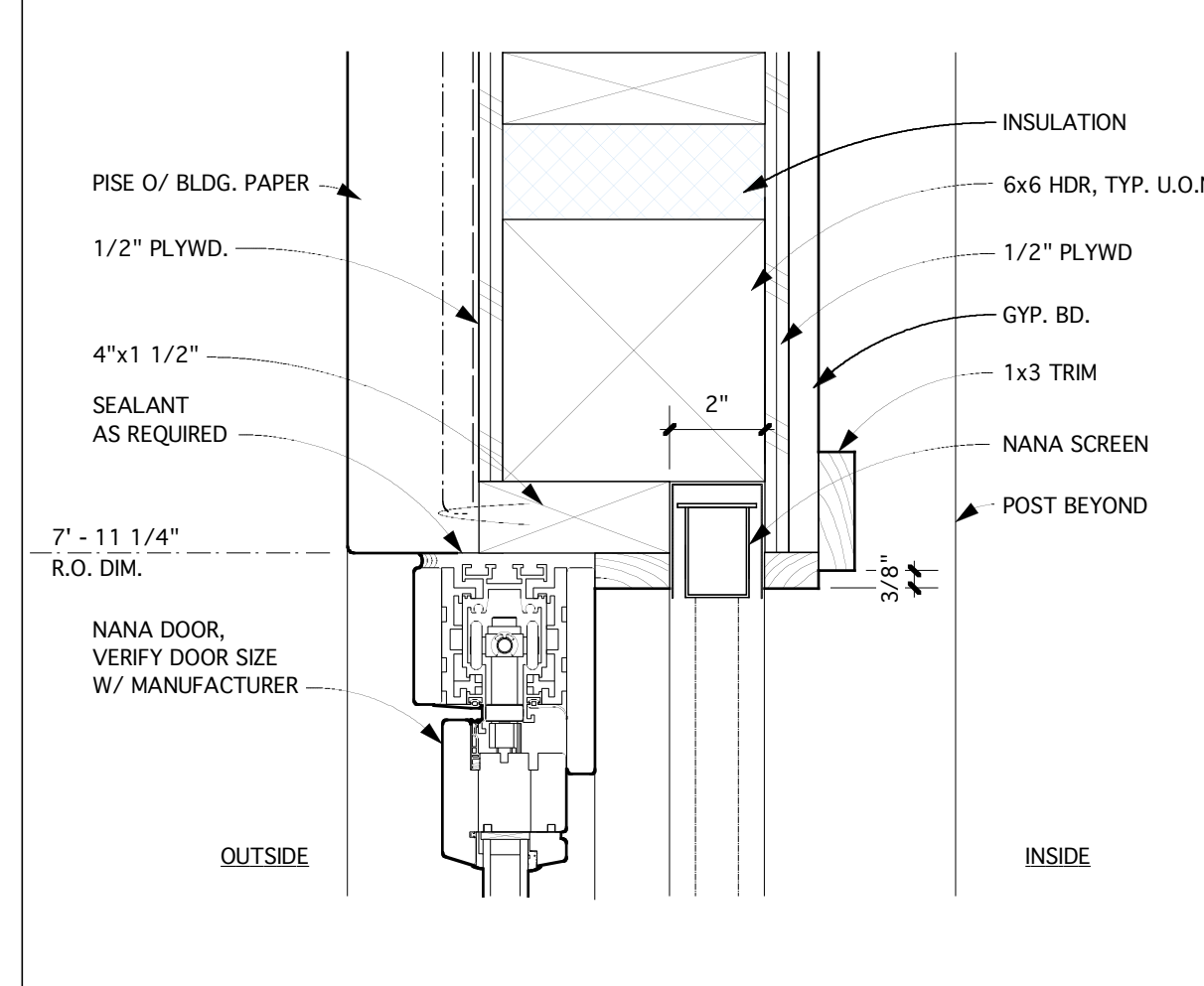
19 OPEN RISER TREAD  
A6.1 SCALE: 2" = 1'-0"



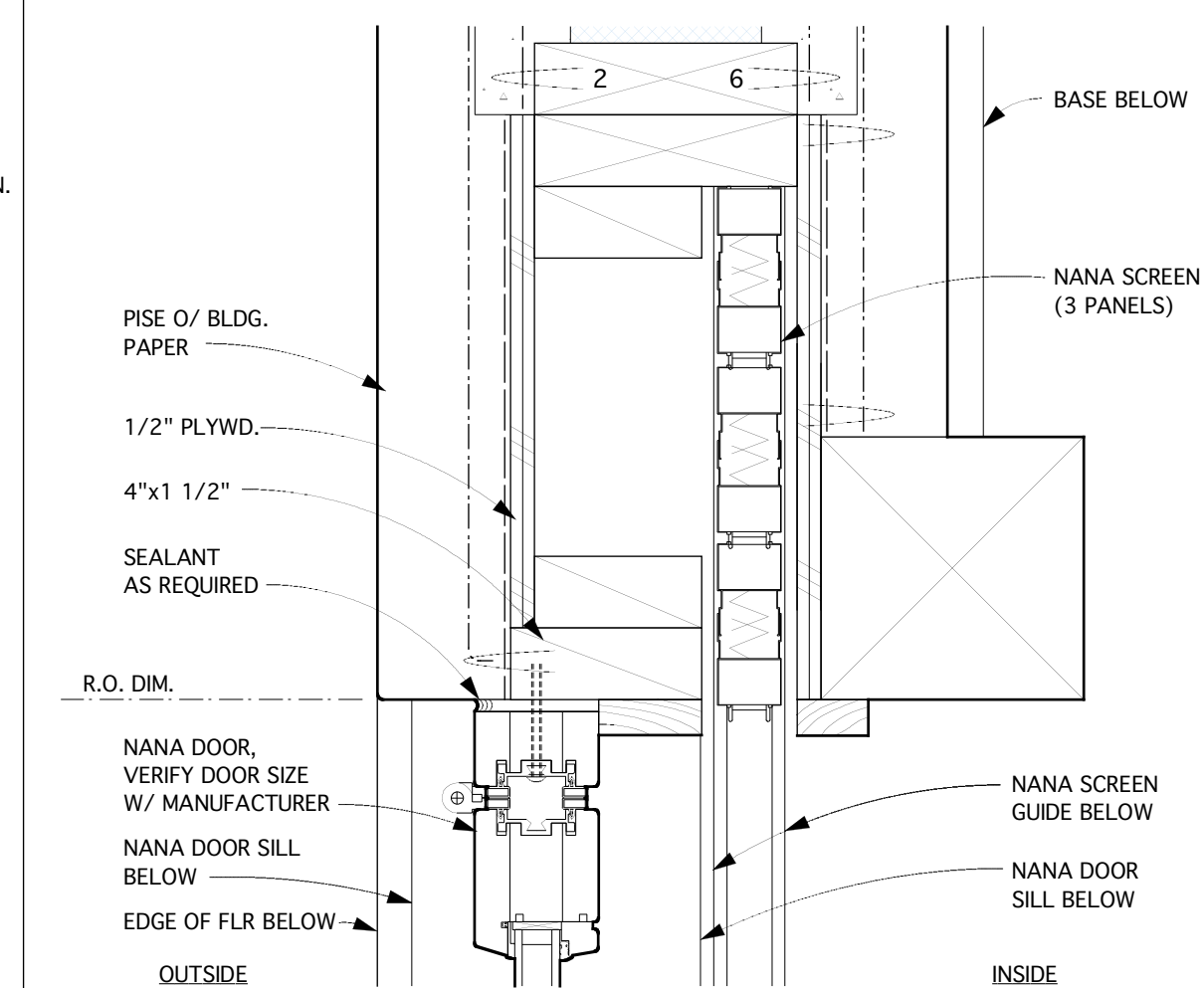
15 OPEN RISER TREAD  
A6.1 SCALE: 2" = 1'-0"



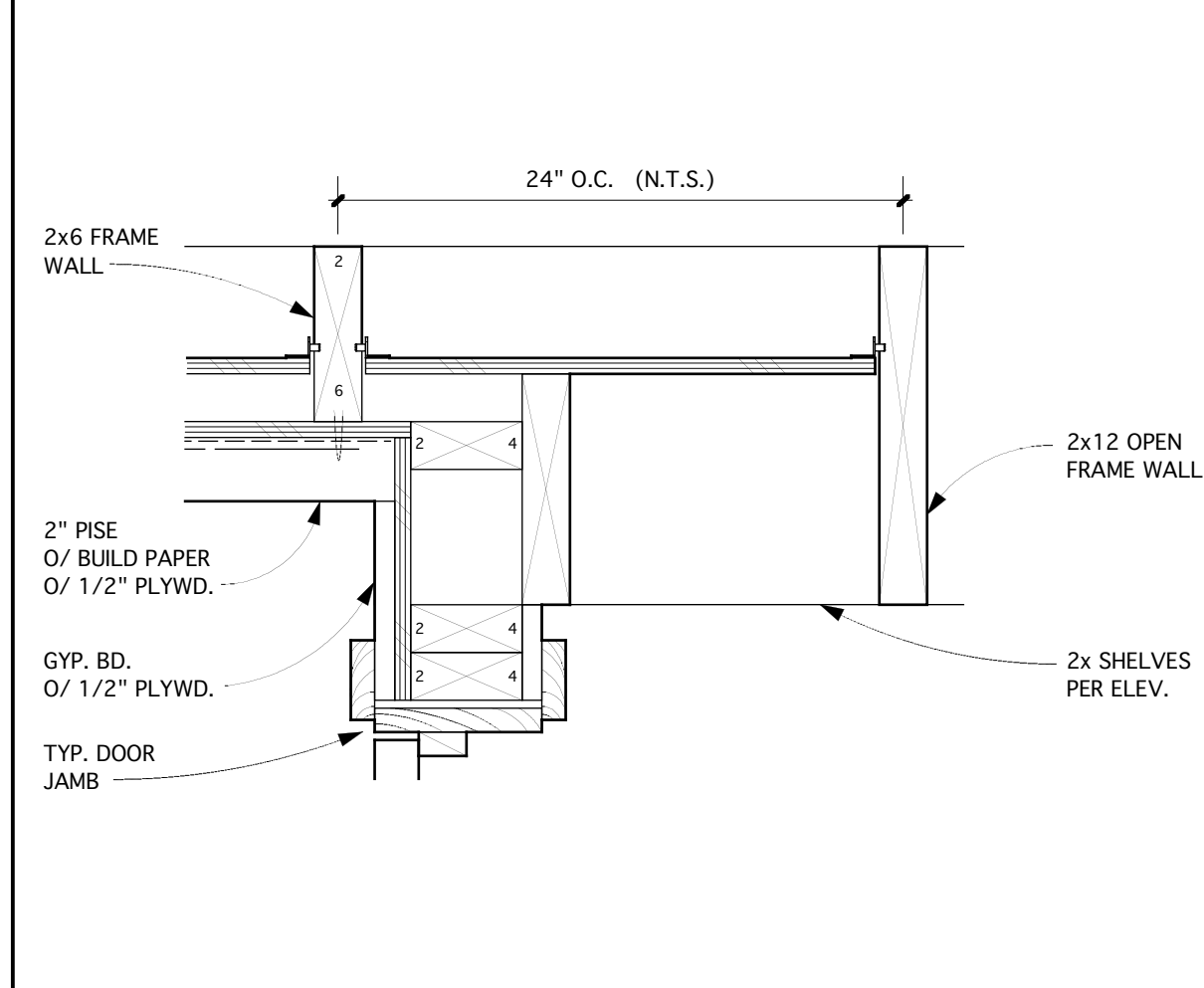
11 MULLION POST IN PISE AND BOARD AND BATTEN  
A6.1 SCALE: 3" = 1'-0"



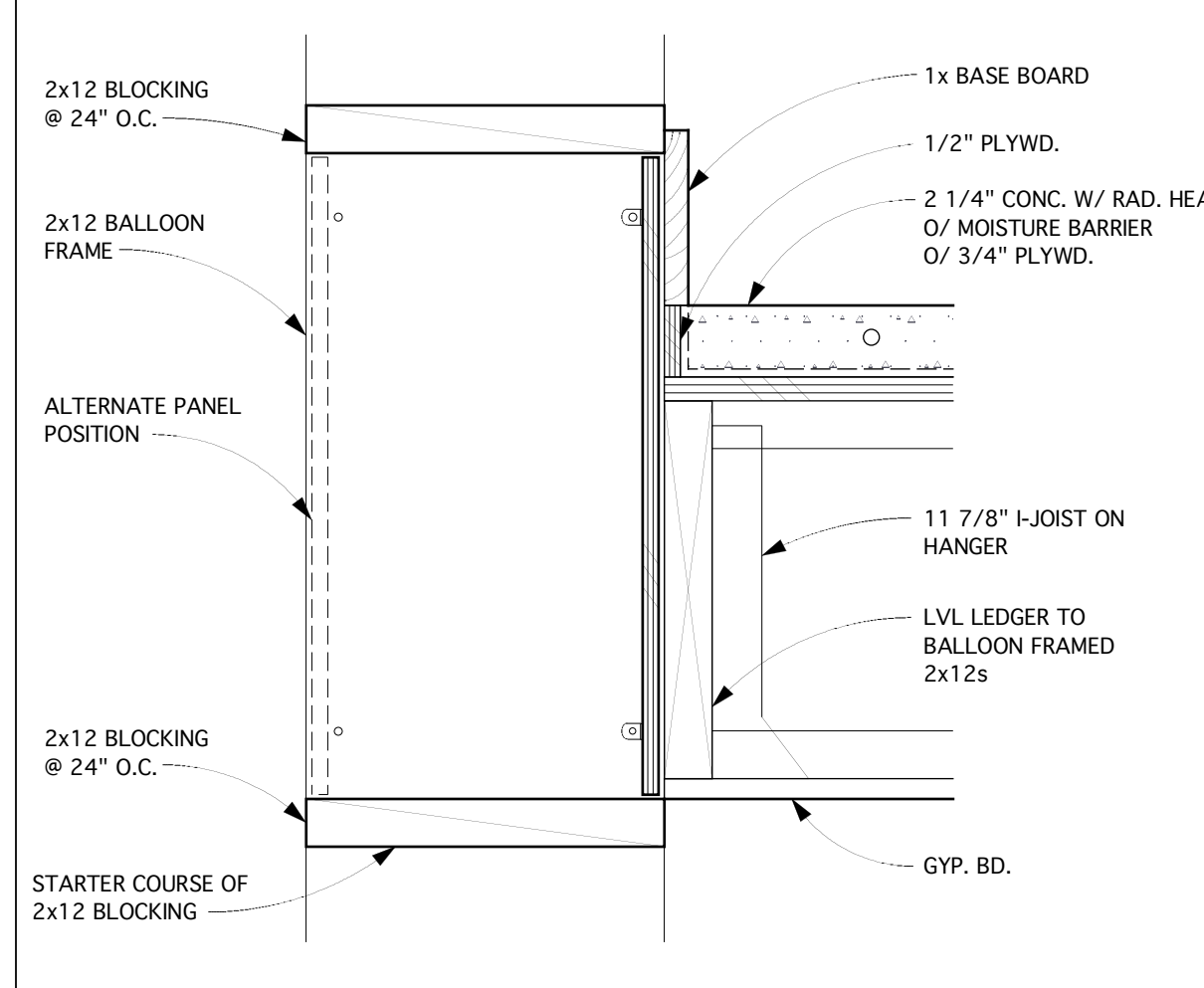
7 NANA DOOR HEAD  
A6.1 SCALE: 3" = 1'-0"



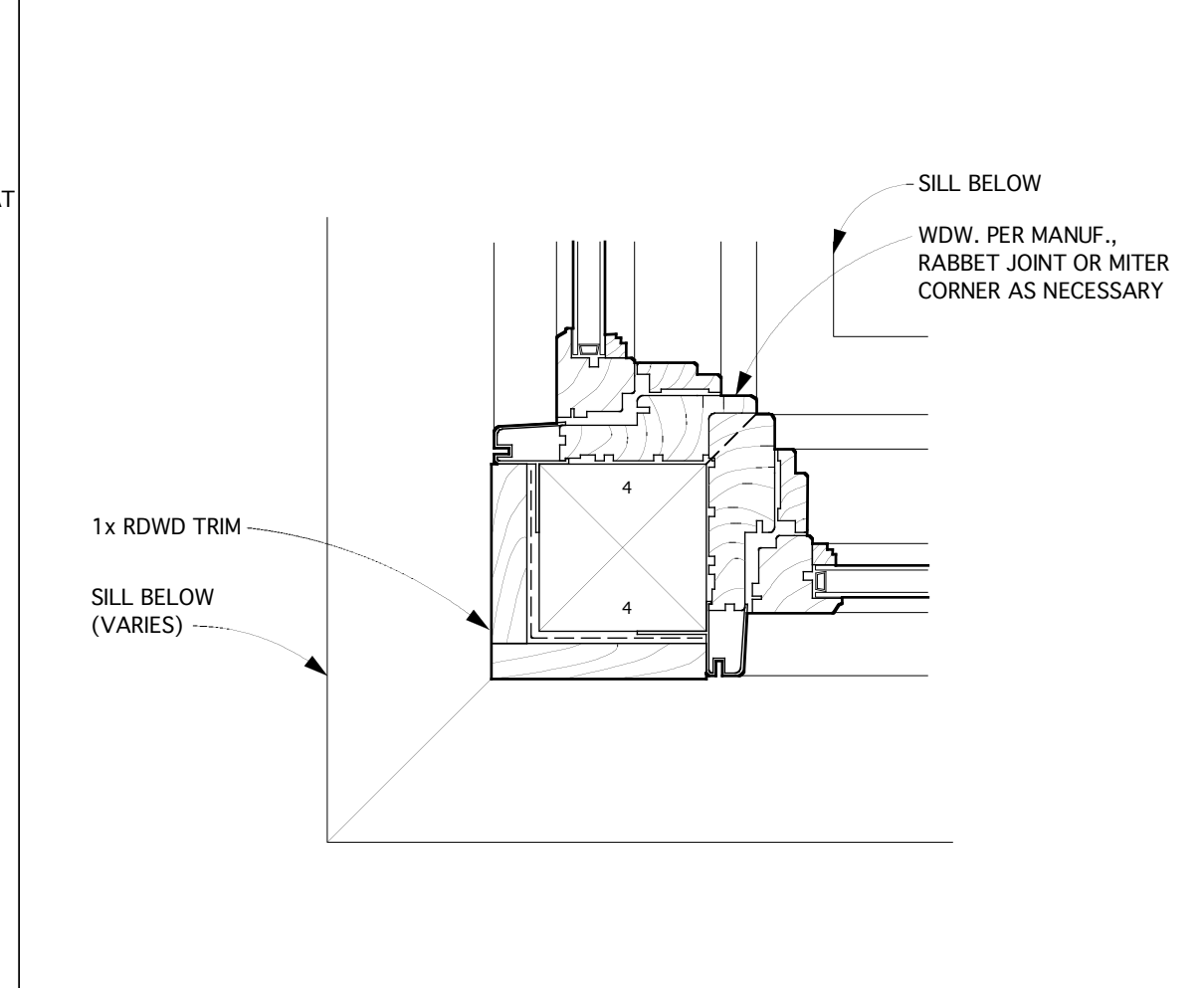
2 NANA DOOR JAMBS  
A6.1 SCALE: 3" = 1'-0"



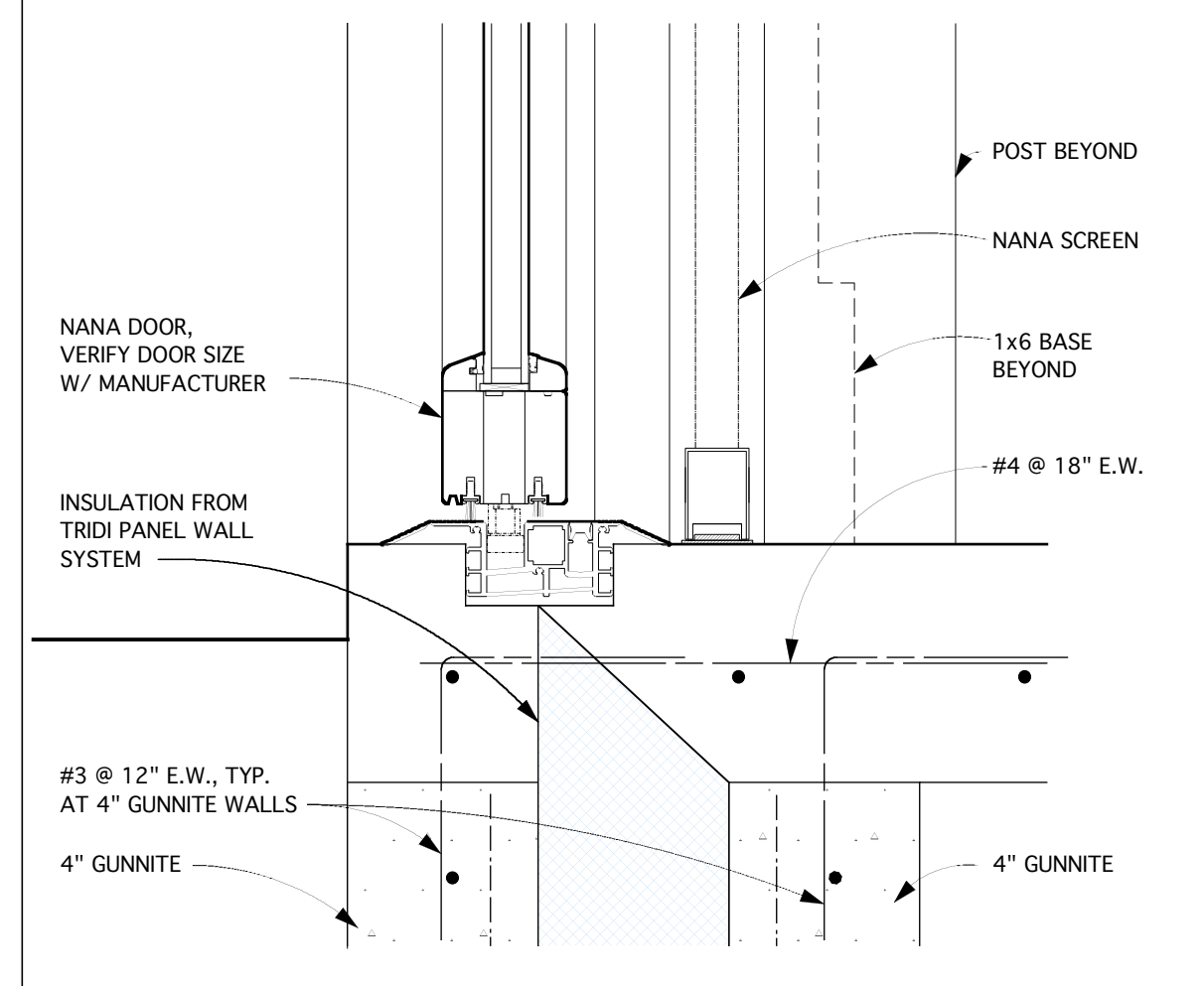
18 WALL TO WALL @ STAIRS  
A6.1 SCALE: 2" = 1'-0"



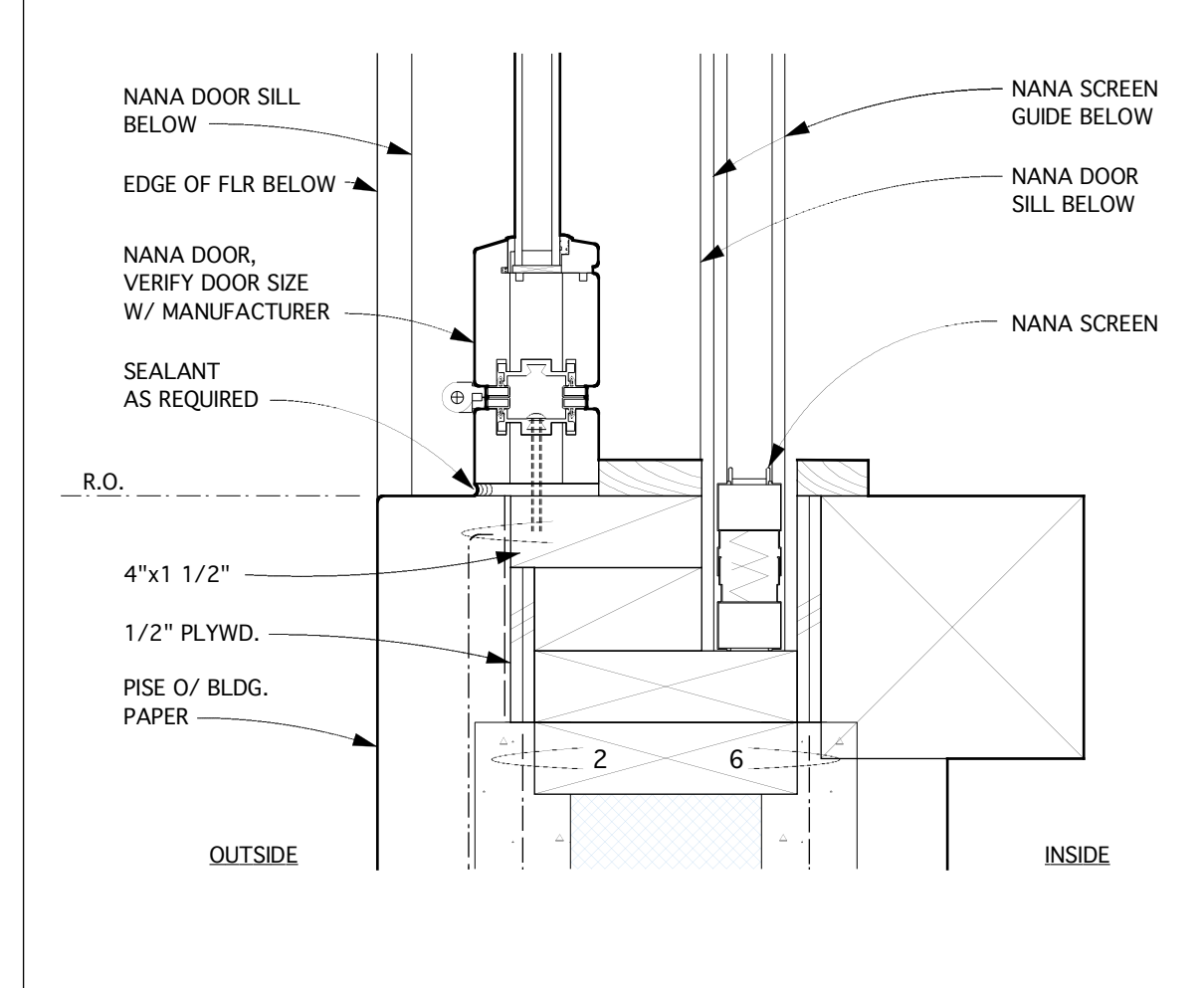
14 FLOOR TO WALL @ STAIRS  
A6.1 SCALE: 2" = 1'-0"



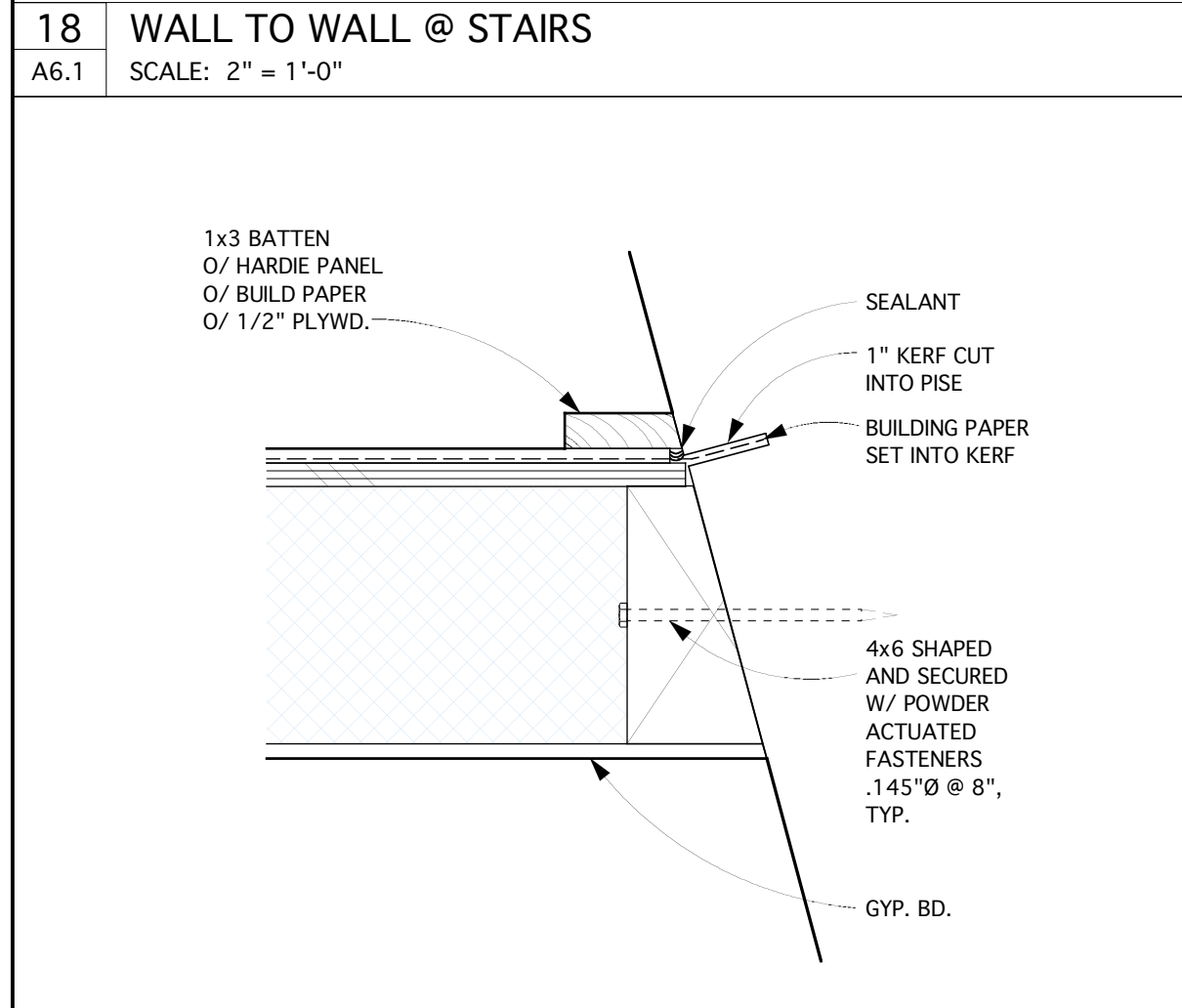
10 WOOD WINDOW @ CORNERS  
A6.1 SCALE: 3" = 1'-0"



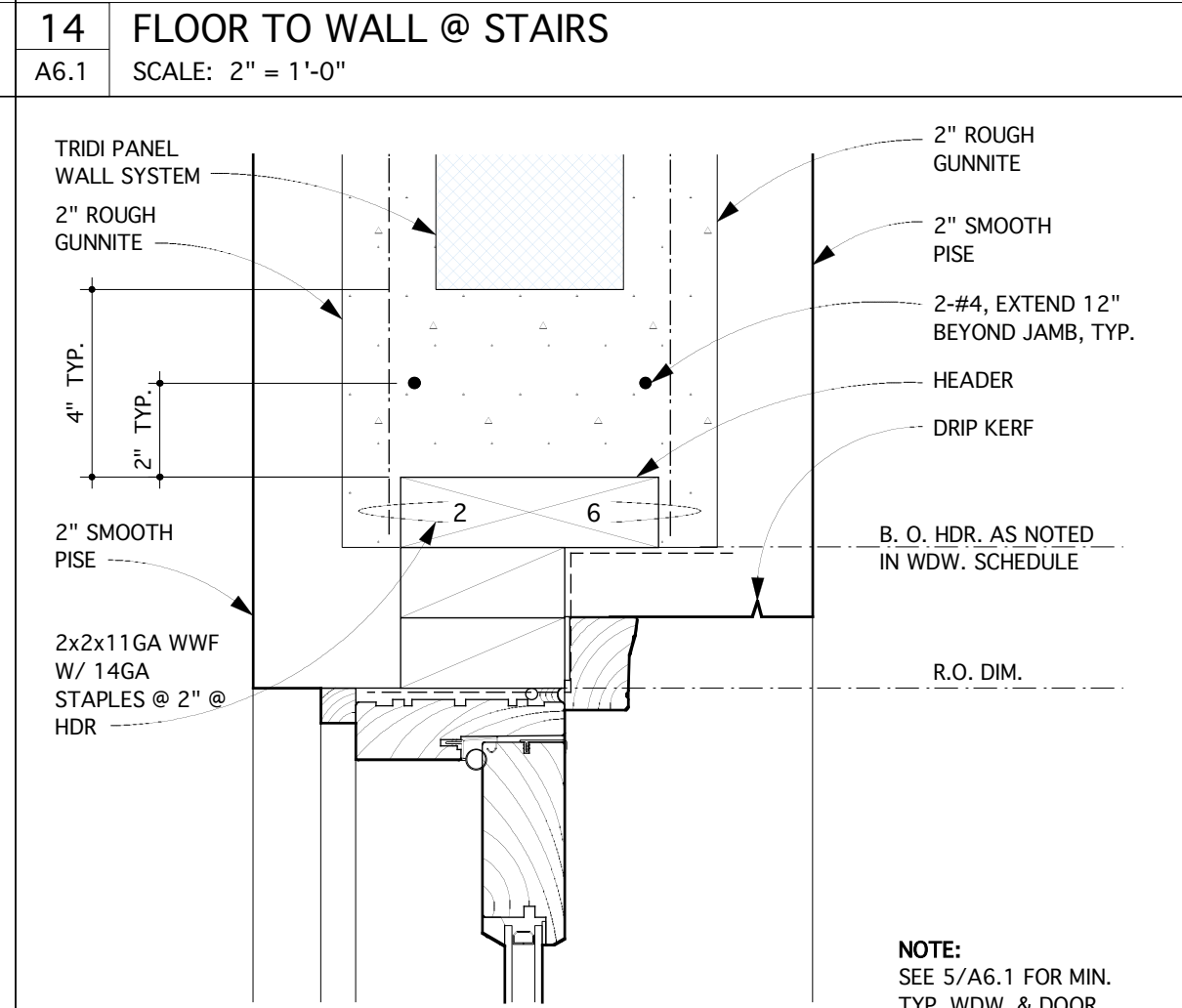
6 NANA DOOR SILL  
A6.1 SCALE: 3" = 1'-0"



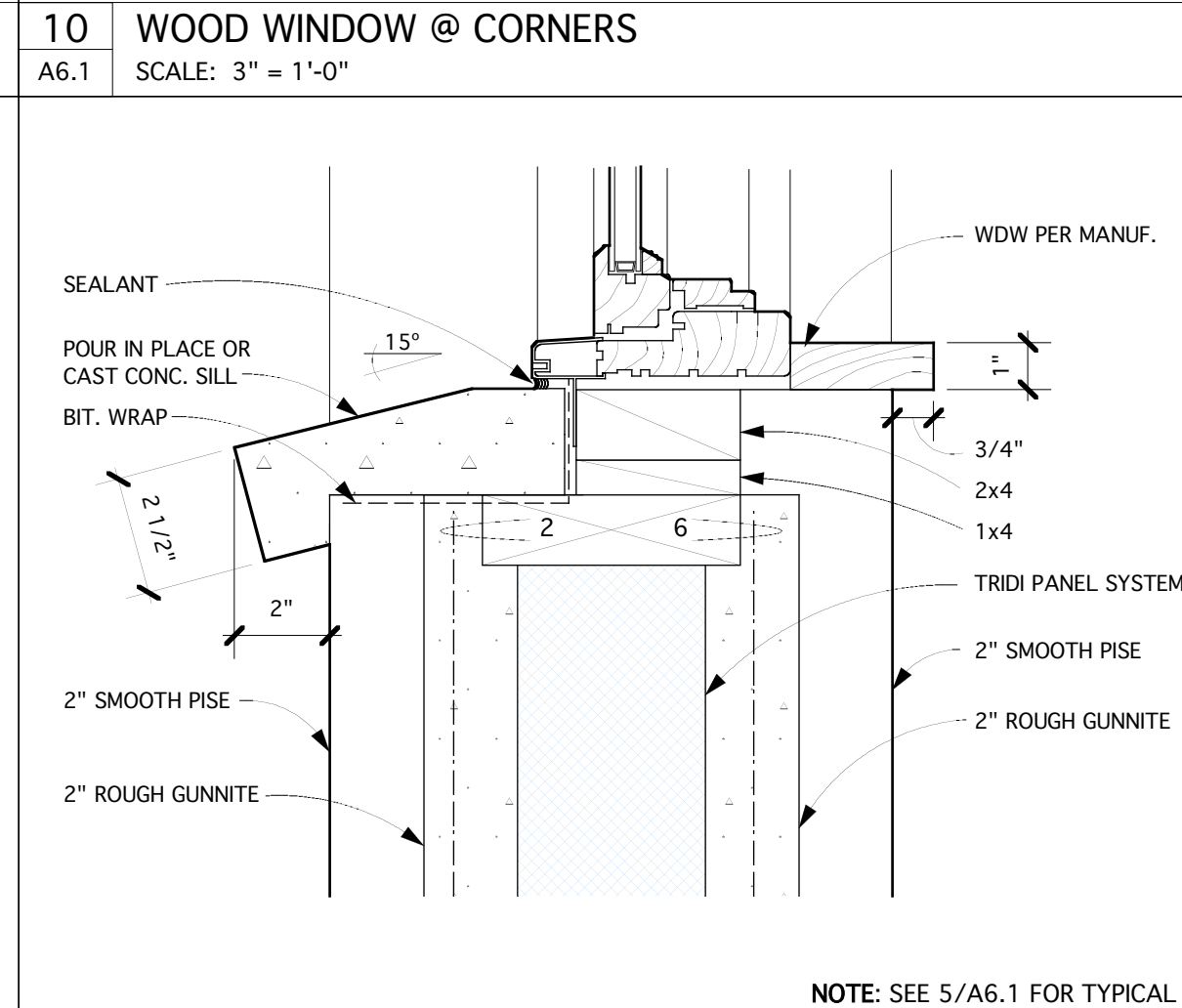
2 NANA DOOR JAMBS  
A6.1 SCALE: 3" = 1'-0"



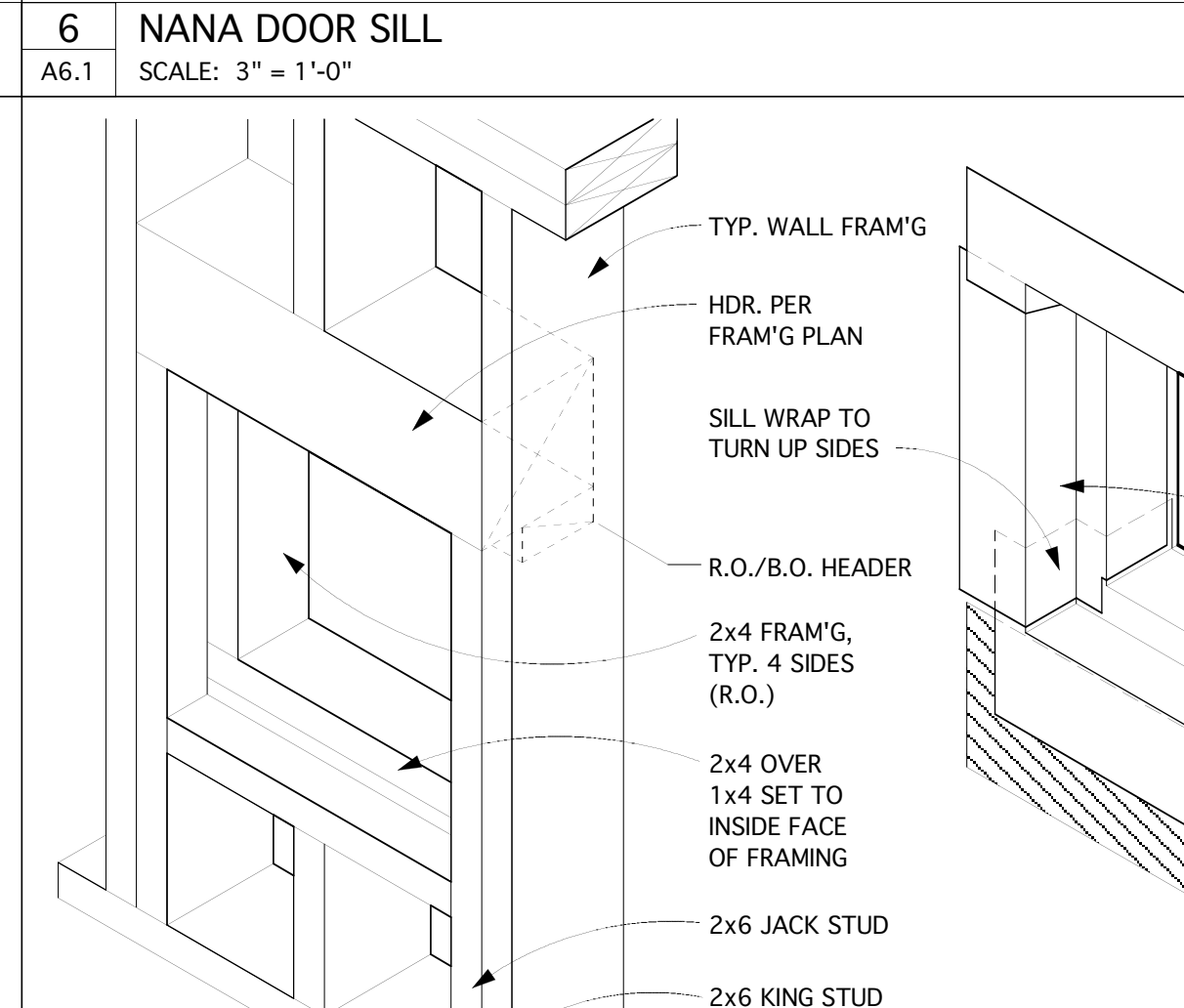
17 WALL TO WALL @ STAIRS  
A6.1 SCALE: 3" = 1'-0"



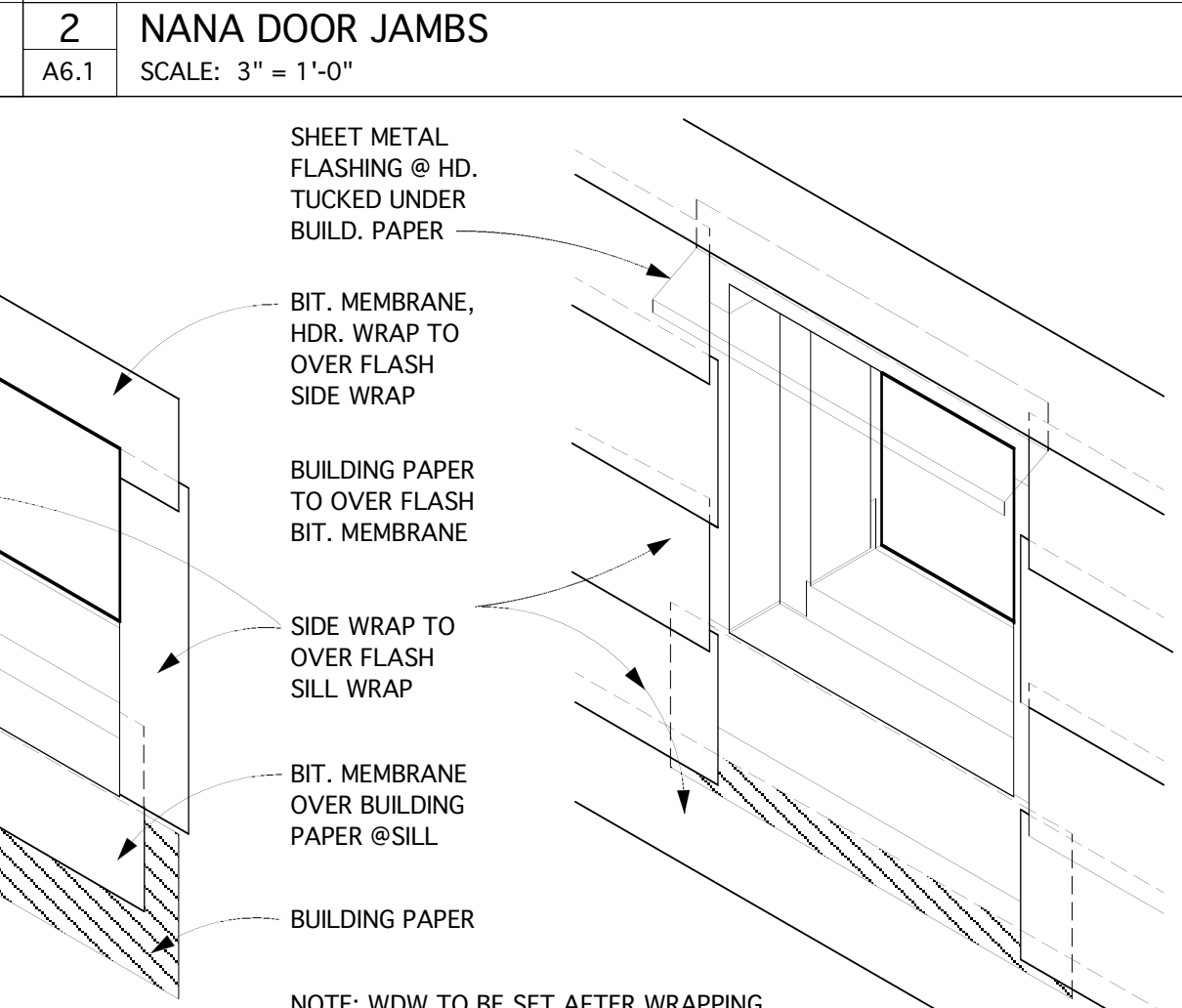
13 DOOR HEAD/JAMB SIM. @ PISE  
A6.1 SCALE: 3" = 1'-0"



9 WOOD WINDOW IN TRIDI - SILL  
A6.1 SCALE: 3" = 1'-0"



5 TYP. WINDOW AND DOOR WITH FLASHING  
A6.1 SCALE: 1 1/2" = 1'-0"



2 NANA DOOR JAMBS  
A6.1 SCALE: 3" = 1'-0"



Ecological  
Planning  
& Design

1101 8th St.  
Suite 180  
Berkeley, CA 94710

telephone  
510.528.9830

facsimile  
510.528.0206

e mail  
info@arkintilt.com

website  
www.arkintilt.com

NEW RESIDENCE for  
**CINDY BICKERSTAFF & MARK HOLLER**  
18771 MOUNT VEEDEE ROAD  
NAPA, CA 94558  
A.P.N. 34-110-47

DETAILS

DATE: 03.15.06  
JOB: BH  
SCALE: AS NOTED  
DRAWN:  
SHEET:

A6.1